

# nbn™ Power Supply with Battery Backup



## Battery specification for Fibre to the Premises (FTTP) connections

Supply this page to your battery retailer. The specifications will help ensure the battery backup you purchase works with the nbn™ Power Supply with Battery Backup.

### Battery type:

12V 7.0-7.2Ah 6 cell VRLA Sealed Lead Acid Battery.

### Dimensions:

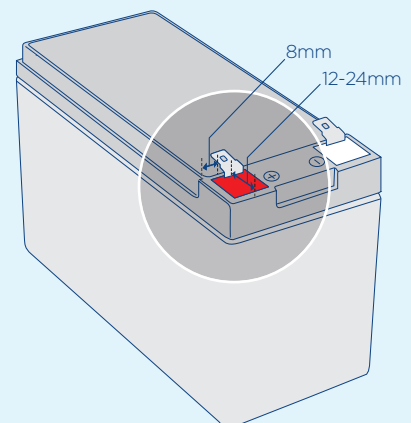
- 94mm (H) x 151mm (W) x 65mm (D) (excl. terminals)
- 100mm (H) x 151mm (W) x 65mm (D) (incl. terminals) (all tolerances +/- 1mm).

### Terminal type:

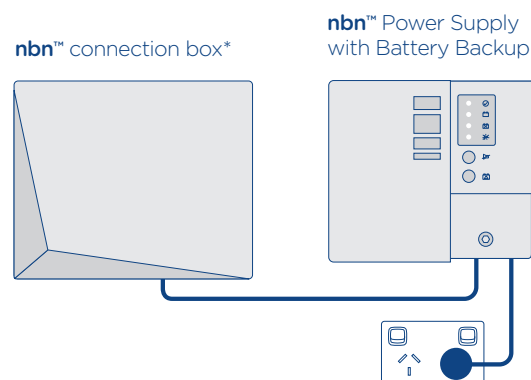
Spade-type. Quick disconnect 'F2' 6.35mm (W) x 0.81mm (thickness).

### Terminal position:

8mm from the battery sides, 12-24mm from the battery end.  
Positive terminal positioned on the side depicted in the picture.



## Identifying the nbn™ Power Supply with Battery Backup

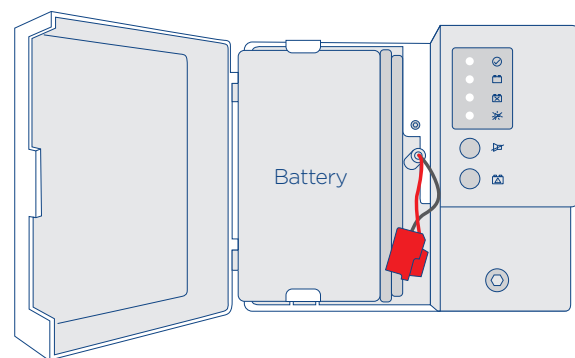


\*Also known as the Network Termination Device (NTD)

## Replacement of the battery

Detailed battery replacement instructions are in the nbn™ Fibre User Guide that was supplied inside the nbn™ connection box enclosure or at [nbn.com.au/battery](http://nbn.com.au/battery)

## Location of battery



For your own safety, never perform maintenance on your nbn™ Power Supply with Battery Backup (including disconnecting or replacing the battery) without first reading the detailed instructions in the nbn™ Fibre User Guide.

## For more information, including recycling instructions

Phone **1800 687 626**

Visit our website at [nbn.com.au/battery](http://nbn.com.au/battery)

Email [info@nbn.com.au](mailto:info@nbn.com.au)